

## LEVEL SWITCH Series LSC

### INTRODUCTION :

Manas make LSC series level switches are based on the principle of measurement of capacitance. They can be widely used to sense the levels of liquids even at higher temperatures up to 140°C. They are available in different stem lengths from 50 mm to 350 mm in steps of 50 mm (LSC-02) and are suitable for top as well as side mounting. They are operated on 24V dc / 12 V dc , which is often available in industries. Output of changeover contact is provided.

### FEATURES :

- No moving parts & so virtually infinite life.
- Principle of operation Detection of change in capacitance
- Compatible with corrosive liquids.
- Option of Food Grade stem available.
- Option of Active High & Active Low output is available.
- Very low power consumption.
- Suitable for conductive liquids.
- Works with low conductivity liquids also.
- Easy to Install.
- Ingress Protection IP 68 for ( LSC- 01) & IP 65 for ( LSC- 02)

### LEVEL SWITCH- LSC-01

#### \*TECHNICAL SPECIFICATIONS

- Material of Construction : PVC
- Material of Probe : SS 304
- Insulation coating on probe : PTFE
- Max. Temperature of fluid : 0 - 60°C [ in liquid form only ]
- Max. operating ambient temp. : 0 - 50°C
- Power supply : Options a) 5 v dc b) 12 v dc
- Ingress protection : IP 68
- Mounting : Hanging type, may be immersed in liquid.
- Service : All types of conducting liquids compatible with PVC.



### LEVEL SWITCH LSC- 02 / LSC- 02 - EX

#### \*TECHNICAL SPECIFICATIONS

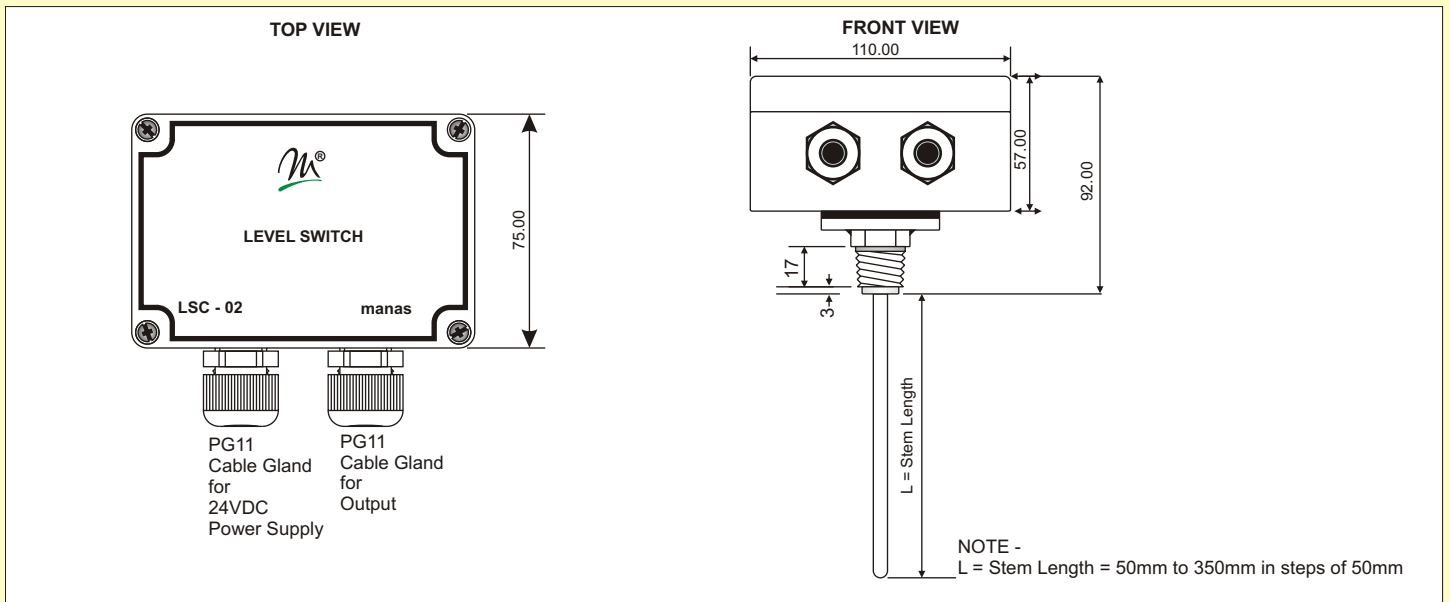
- Service : All types of conducting Liquids compatible with SS & PTFE, having conductivity more than 5 μS/cm
- Stem length options : 50mm to 350mm in steps of 50mm
- Diameter of stem : 6.2mm ±0.2mm
- End connections : Threaded, ½" NPT (M)Std. BSP on request.
- Material of construction
  - a) Housing : Polyester (LSC-02)  
Aluminium Die cast, Flameproof  
Class IIA & II B (LSC- 02 -Ex)
  - b) Probe : SS 304 With PTFE Coating
  - c) End connection : SS 304 std. SS 316 on request.
- Max. temperature of fluid : 0 - 140°C [ in liquid condition only ]
- Max. operating ambient temperature : 0 - 60°C
- Power supply : 24 V dc / 12 V dc
- Ingress protection : IP 65
- Enclosure dimension (LSC-02) : 110 mm (L) X 75 mm (W) X 57 mm (D)
- Humidity : 90% R.H. max, non condensing
- Cable entry : Two Numbers [PG 11]



#### \*INPUT / OUTPUT SPECIFICATIONS (Common to All models)

- Input : Level of Conducting Liquid ( $\sigma \geq 5 \mu\text{S/cm}$ )
- Output : One potential free c/o relay contact rated for 230 Vac/5A resistive loads Or Open Collector rated for 24 V dc/30mA.
- Out put selection : Detection of level to operate relay.  
Detection of level to release relay.  
(Selectable in the field by switch)





**Ordering Information :**

Series	Description
LSC-01	Submersible capacitance type level switch
LSC - 02	Capacitance type level Switch.
LSC - 02 -EX	Flame-proof Capacitance type level switch.

Output Mode	
OR	Level Detection to operate Relay.
RR	Level Detection to release Relay.

Stem Length in mm	
L50	L250
L100	L300
L150	L350
L200	L400

Material of Construction of End Connection	
SS 304	Stainless Steel SS 304
SS 316	Stainless Steel SS 316

Earth Jacketing	
Reqd.	Required
Not	Not Required

Stem Coating	
FG	Food Grade PTFE
IG	Industrial Grade PTFE

Output	
C/O	One potential free <b>C/O</b> relay contact rated for 230VAC/ 5Amp
O/C	<b>Open Collector Output</b> Rated for 24Vdc/ 30 mA.

LSC-02 RR L150 SS 304 NOT FG O/C **Sample Order Code**

\* Due to continuous development specifications are subject to change without prior notice.

**manas microsystems pvt. ltd.**

REGD. OFFICE : ROW HOUSE NO. 5, PARVATI PARK, DATTAWADI, PUNE 411 030  
 WORKS : EL 54 ELECTRONIC ZONE, M.I.D.C. BHOSARI, PUNE 411 026. (INDIA)  
 TEL. : 020-27127044,27127047, 27127858 FAX : 020-27127045  
 E-MAIL : mktg@manasmicro.com, manasmicro@yahoo.com  
 WEBSITE : www.manasmicro.com, www.flowmeterindia.in

