

**We are Certified with**  
ISO/IEC 17025:2005 | ISO 9001:2015  
ISO 14001:2015 | OHSAS 45001:2018

# Sanitary Grade Electromagnetic Flow Meter

Model: SG - SROAT



## Description

The Series SG-Sroat of Electromagnetic Flow Meters is Specifically designed for measurement of food liquids like milk, cream, juices of various fruits, pharma liquids etc. It is available with integral or remote version of transmitter. The transmitter can have built-in or remote totalizer display. Suitable end Connections of SMS Union or DIN Union or Tri-Clover Clamp is given as per Customer's requirements.

Special Models are available for mounting on Milk Tankers.

## Features

- Full Stainless Steel Body
- End Connection in Union Coupling or Tri-clover Clamp
- Sizes available for 1" to 4" (DN25 -DN100)
- Highly Accurate and Extremely Linear
- Isolated 4-20 mA output Proportional to Flow Rate
- Option of Pulse Output available

## TRANSMITTER SROAT 1000A / SS1002

### Common Specs to both Transmitters

Type	Integral Mounted (Std) Remote Mounted (on request)
Accuracy	±0.5 % ±(1 mm/sec) of Actual Flow Rate between 100% to 10% of Calibrated range
Flow Velocity Range	0.1 m/s to 10 m/s
Repeatability	±0.2% of reading
Ambient Temp.	0 - 50°C
Signal Output	4-20 mA DC in max. 600 Ω load Isolated, Proportional to flow rate
Temperature Drift	0.015% / °C maximum of Full Scale
Humidity	90% R.H. maximum, non-condensing
Material of Housing	Al. Die cast for Amplifier / Transmitter
Cable Entries	Maximum 6 no. For Remote Mounting Maximum 2 no. For Integral Mounting
Ingress Protection	IP 67



SMS Union Type

Tri-Clover Clamp Type

## Transmitter Specifications

### Transmitter: SR1000A

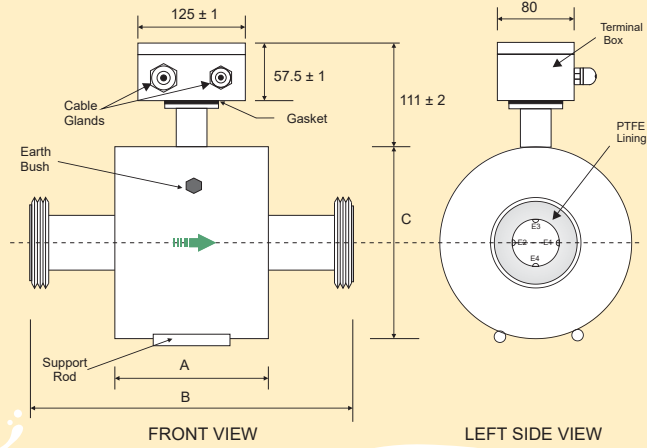
Min. Media Conductivity	≥ 5 μS / cm
Comm. Port	NA
Display	a] 3½ digit, ½" LCD for Flow Rate b] 8 digit LCD for Totalisation
Damping	Adjustable from 5 to 30 Seconds
Power Supply	230V ac, Single Phase, 50 Hz ± 10% or 110V ac, Single Phase, 50 Hz ± 10% or 12V dc / 24 V dc, ± 10%

### Transmitter: SS1002

Min. Media Conductivity	≥ 20 μS / cm
Comm. Port	RS485 (default) / RS232 (on request) with MODBUS RTU Compatible.
Display	16 characters × 2 rows LCD Display (For instantaneous Flow Rate, Totaliser, Engg. Units, Fault messages, etc.)
Damping	Internally Fixed.
Power Supply	85 to 265 V ac, ± 10%, 50 Hz, Single Phase 24V dc ± 20%

## Table for Meter Dimensions (mm)

Meter	A	B	C
25	78	200	134
38	100	200	121
51	105	200	131
63.5	99	200	156
76.1	92	200	181
101.6	135	250	232



**SG-SROAT 51 PTFE SS316 TC SS304 SS304 SS1002 2D RS4 RMT U**

**FLOW METER SIZE**

15 mm	51 mm
25 mm	63.5 mm
32 mm	76.1 mm
38 mm	101.6 mm

**LINER MATERIAL**

PTFE	: PTFE
PFA	: PFA

**ELECTRODE MATERIAL**

SS316	: SS316
SS316L	: SS316 L

**END CONNECTION STANDARDS**

TC	: Tri - Clover Clamp
SU	: SMS Union
DU	: DIN Union

**END CONNECTION MATERIAL**

SS304	: Stainless Steel SS304
SS316	: Stainless Steel SS316

**BODY MATERIAL**

SS304	: Stainless Steel SS304
SS316	: Stainless Steel SS316
SS316 L	: Stainless Steel SS316L

**POWER SUPPLY**

1	: 110 Vac ± 10%, 50 Hz
2	: 230 Vac ± 10%, 50 HZ
3	: 24 Vdc
U	: 85 - 265 Vac, 50 Hz
ZZ	: Any Other

**TRANSMITTER MOUNTING**

INT	: Integral
RMT	: Remote

**COMMUNICATION FACILITY**

RS2	: RS232
RS4	: RS485
NA	: No Communication

**FLOW TRANSMITTER**

B	: Blind
1D	: Indication Display
2D	: Indication & Totalisation

**TRANSMITTER TYPE**

SROAT 100A
SS1002

Note: Due to continuous development specifications are subject to change without prior notice.



**manas**  
microsystems  
private limited

EL 54, Electronic Zone, J-Block, MIDC Bhosari,  
Pune 411 026. Maharashtra. India.  
t : (020) 27127044 / 858  
m : +91 77220 34924 / 74200 99054



**24/7 Service Helpline**  
**98607 92275**